	SPECIFICATIONS	MODEL NO OBO-45AP1
	PART NAME PAPER CONE SPEAKER	SHEET 1 OF 9

ALTERNATION HISTORY

Marking	Date	ECN NO.	REV	Description	Page	PREPARE BY	APPROV E BY
.	.	.	.	.	.	.	.
.	.	.	.	.	.	.	.
※1	JUN.16,05	0506006	D	Pb-free Type	10	PET	蕭可致
※2	AUG,10,09	DG0910015	E	1. Conformity Rosh Directive (2002/95/EC) Requests. 2.Increase the hole	9	王志偉	謝明福

REV.	DATE	PREPARED BY	CHECKED BY	APPROVED BY
E	AUG,10,2009	王志偉	楊冉	謝明福



**SPECIFICATIONS**

**MODEL NO**  
OBO-45AP1

**PART NAME**  
PAPER CONE SPEAKER

**SHEET**  
2 OF 9

**MODEL NO : OBO-45AP1**

**Features: Conformity Rosh Directive (2002/95/EC) Requests. ※2**

**1. General Specifications:**

	Items	Specification	Conditions.
1.1	Rated Voltage	3.0 Vo-p	<p>Squarewave 1/2 Duty</p>
1.2	Operating Voltage	2-4 Vo-p	
1.3	Resonant Frequency	2700Hz	
1.4	Sound Pressure Level	Min 87 dB	Standard State, Standard Drive circuit, Rate Voltage, Distance at 0.1m(A-weight)2700Hz Square wave 1/2 Duty.
1.5	Average Current Consumption	Max 80mA	
1.6	Coil Resistance	16±3Ω	
1.7	Operating Temp. Range	-30°C ~+70°C	SPL ≥ 80dB at "1.4"
1.8	Storage Temp. Range	-40°C ~+85°C	
1.9	Housing Material	LCP	
1.10	Weight	0.6g	

## 2. Standard State

### 2.1 Standard State

Ordinary Temperature	15°C to 35°C
Ordinary Humidity	25% to 85%
Ordinary air pressure	860 to 1060hPa

In case of doubtful judgment, the test is re-performed under Basic State.

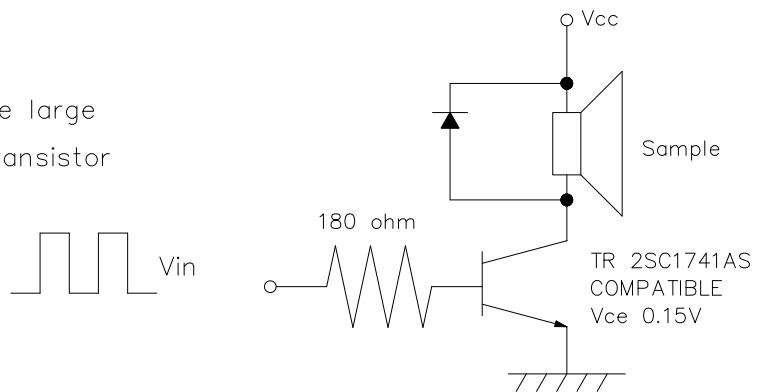
### 2.2 Basic State

Temperature	20±2°C
Humidity	60% to 70%
Ordinary air pressure	860 to 1060hPa

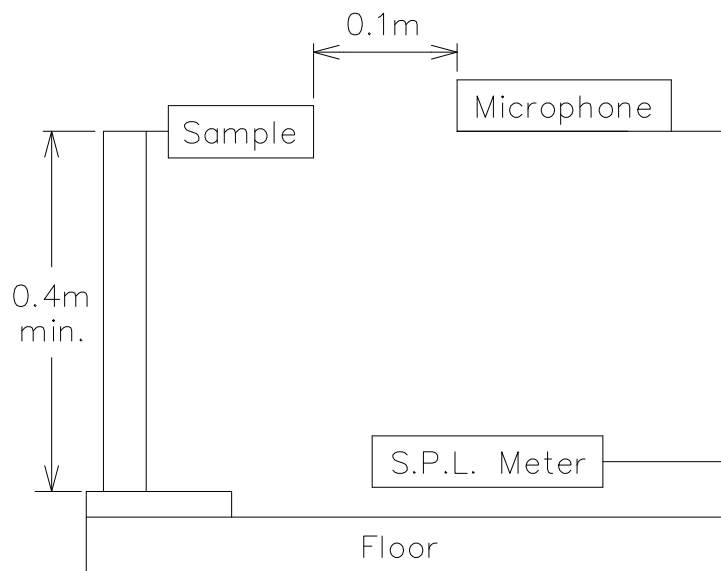
## 3. Test method:

### 3.1 Standard Drive Circuit

Signal amplitude should be large enough to saturate the transistor which drives the buzzer.



### 3.2 Standard Test Fixture

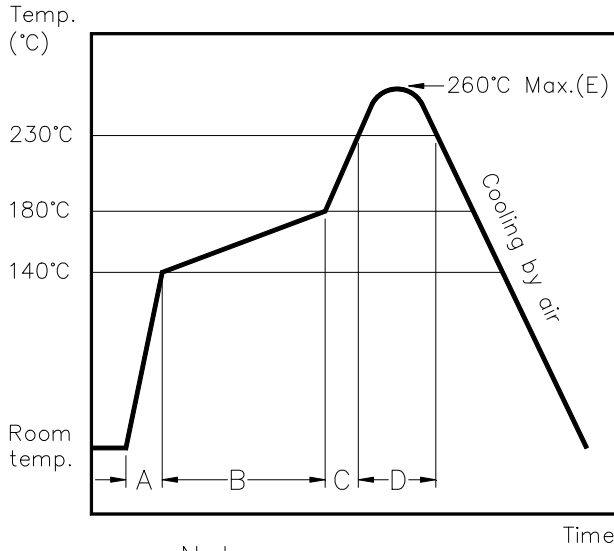


**4. Soldering Condition :**

※1

**4.1 Reflow Soldering**

Recommendable reflow soldering condition is as follows.



NO.	Items	Condition	Unit
A	Temp. rise gradient	1 ~ 4	°C/sec
B	Heating time	50~150	sec
	Heating temperature	140~180	°C
C	Temp. rise gradient	1 ~ 4	°C/sec
D	Time over 230°C	48 Max.	sec
E	Peak temperature	260°C Max.	°C
	Peak-temp. hold time	Momentary	sec
Soldering		2	times

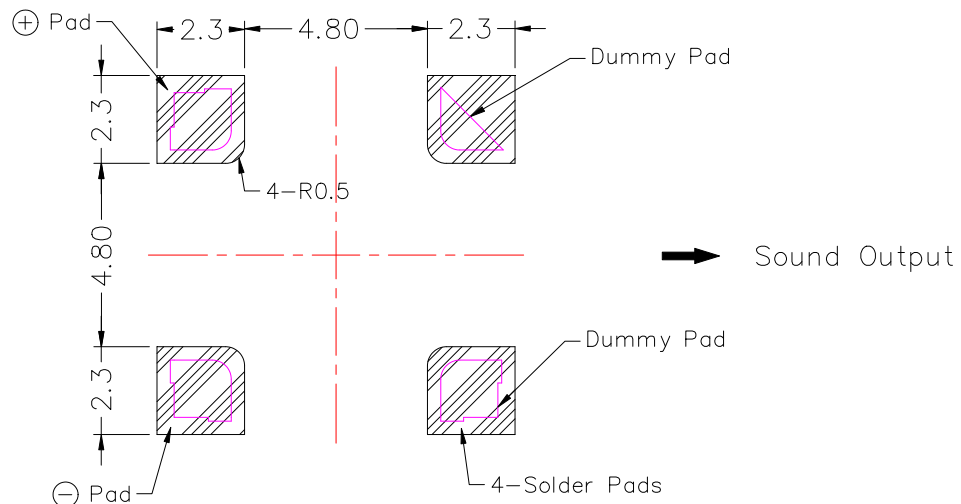
Note :

It is requested that second reflow soldering should be executed after heat of product goes down to normal temperature.

**4.2 Hand Soldering ※1**

Soldering iron temperature 380°C less than 3 second.

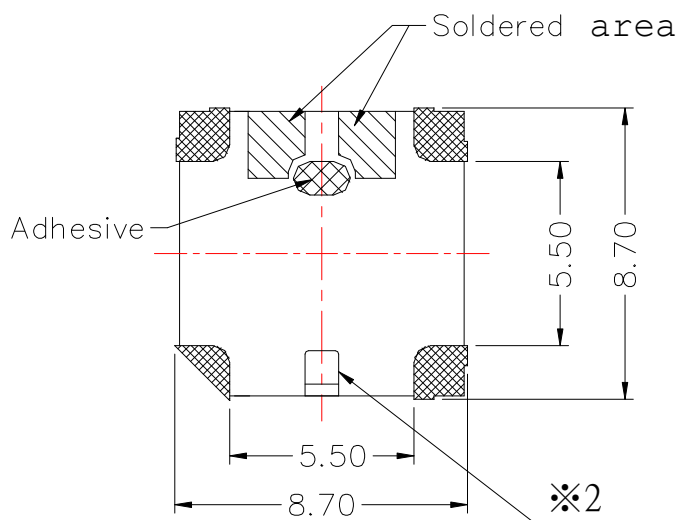
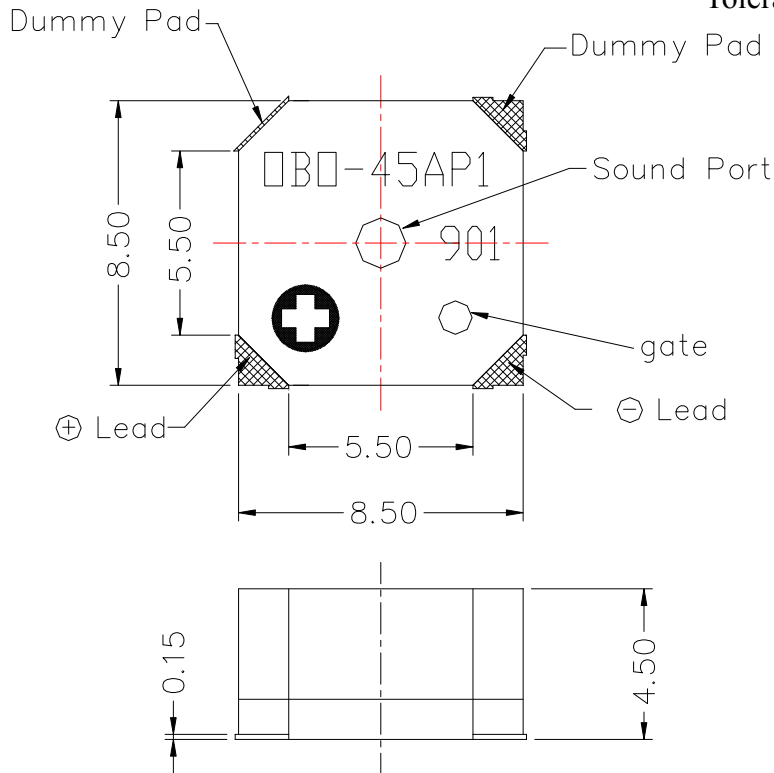
**4.3 Soldering Pattern**



5. Mechanical Layout and Dimensions:

5.1 Dimensions

Tolerance:  $\pm 0.2\text{mm}$     Unit: mm



Note : Meaning of Stamp Mark

901 : Production Lot No.

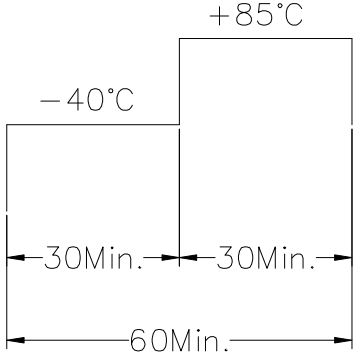
9 : Year 2009 (last 1 figures of the year)

01 : week (01 ~55)

OBO-45AP1 : Model No.

⊕ : Polarity indentification mark

**6. Reliability test:**

NO.	Items	Test Conditions	Evaluation Criteria
6.1	High Temp. Storage	The part shall be capable of withstanding a storage temperature of +85°C for 240 hours.	After the test the part shall meet specifications without any degradation in appearance and performance except SPL. SPL shall be 80dB or more.
6.2	Low Temp. Storage	The part shall be capable of withstanding a storage temperature of -40°C for 240 hours.	
6.3	Thermal Shock	<p>The part shall be subjected to 50 cycle. One cycle shall consist of : transfer time : 10 minutes</p> 	
6.4	Humidity Test	The part shall be subjected to +60°C, 90% RH for 240 hours, and expose to room temperature for 6 hours.	
6.5	Vibration	10 – 55 – 10Hz, Sinewave Sweep 15 min. X,Y,Z 3 Direction 2 hours each, Total 6 hours.	
6.6	Drop test	Drop on hard wood board of 5cm. thick, any direction, 10 times, at the height of 150cm	

NO.	Items	Test Conditions	Evaluation Criteria
6.7	Ordinary Temp. life	The part shall be subjected to 240 hours at 25±10°C. Input 3.0Vp-p Squarewave 1/2duty 2700Hz	
6.8	High Temp. life	The part shall be subjected to 240 hours at +70°C. Input 3.0Vp-p Squarewave 1/2duty 2700Hz	
6.9	Low Temp. life	The part shall be subjected to 240 hours at -30°C. Input 3.0Vp-p Squarewave 1/2duty 2700Hz	
6.10	Reflow (※1)	<p>The graph shows a reflow temperature profile. The y-axis is labeled 'Temp. (°C)' with values Room temp., 140°C, 180°C, and 230°C. The x-axis is labeled 'Time (Sec)'. The curve starts at 'Room temp.', rises through stage 'A' to 140°C, then through stage 'B' to 180°C, then through stage 'C' to a peak of 260°C Max.(E) in stage 'D'. The cooling phase is labeled 'Cooling by air'.</p>	<p>a. No abnormality should be found after the test</p> <p>b. Good soldering to meet soldering requirements</p>

**Notes :**

As this product is not protected from foreign material entering, please make sure that that any foreign materials (e.g. magnetic powder, washing solvent, flux, corrosive gas) do not enter this product in your production processes. The functional degradation (e.g. SPL down ) may occur if foreign material







SPECIFICATIONS

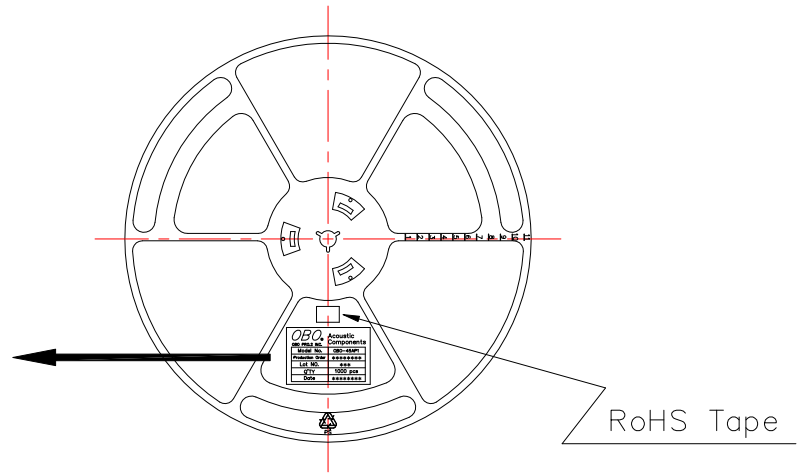
MODEL NO  
OBO-45AP1

PART NAME  
PAPER CONE SPEAKER

SHEET  
9 OF 9

Label content

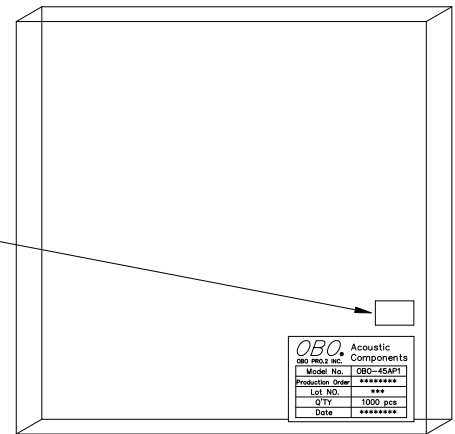
Model No.	OBO-45AP1
Production Order	*****
Lot NO.	***
Q'TY	1000 pcs
Date	*****



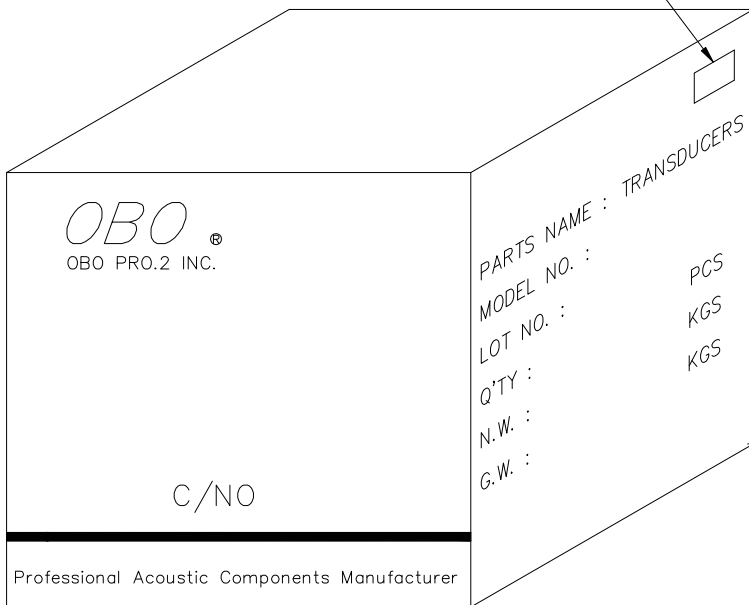
Inside box

RoHS Tape (※2)

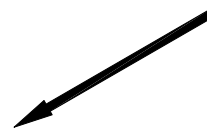
Carton



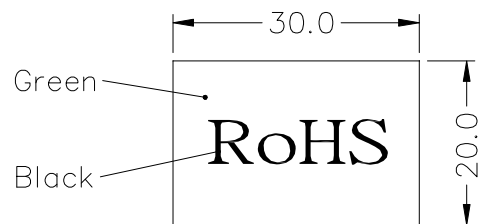
1 Reel / Inside box  
(33.3\*2.4\*33.5)



10 Inside box (10000pcs)  
/ Carton (34.5\*26.5\*35.3)



(※2)



RoHS Tape  
(30\*20 mm)