



<b>OBO.Pro.2</b>	<b>SPECIFICATIONS</b>	<b>MODEL NO.</b> OBO-35T5
	<b>PART NAME</b> Piezoelectric Buzzer	<b>SHEET</b> 2 OF 4

## MODEL NO : OBO-35T5

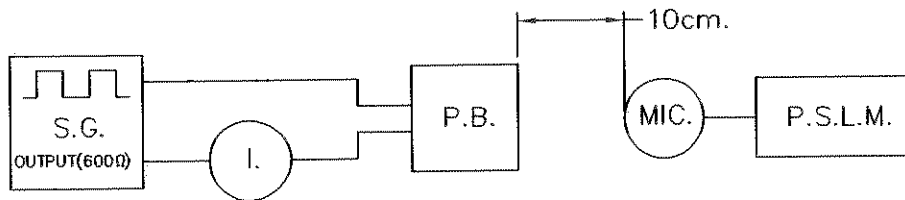
**Features : Conformity RoHS Directive ( 2002/95/EC ) Requests.** ※1

### 1. General Specifications :

Items	Spec.
Sound Pressure Level	85dB Min. at 1.3KHz/9Vp-p Square Wave/10cm.
	75dB Min. at 1.3KHz/1Vrms Sine Wave/10cm.
Capacitance	47,000pF ± 30% at 120Hz
Current Consumption	3mA Max. at 1.3KHz/9Vp-p Square Wave
Allowable Input Voltage	40Vp-p Max.
Case Material	PC (UL 94V-2)
Lead Pin Material	Phosphor Bronze
Operating Temp. Range	-20°C to +70°C
Storage Temp. Range	-40°C to +85°C
Weight	5.3 gms

### 2 - Test Method :

#### 2.1 Standard Test Diagram



S.G. : GAG-808G Audio Generator or Equivalent

P.S.L.M. : Sound Precision Level Meter IEC651 TYPE2

I. : GDM-8145 Multimeter or Equivalent

P.B. : Piezoelectric Buzzer

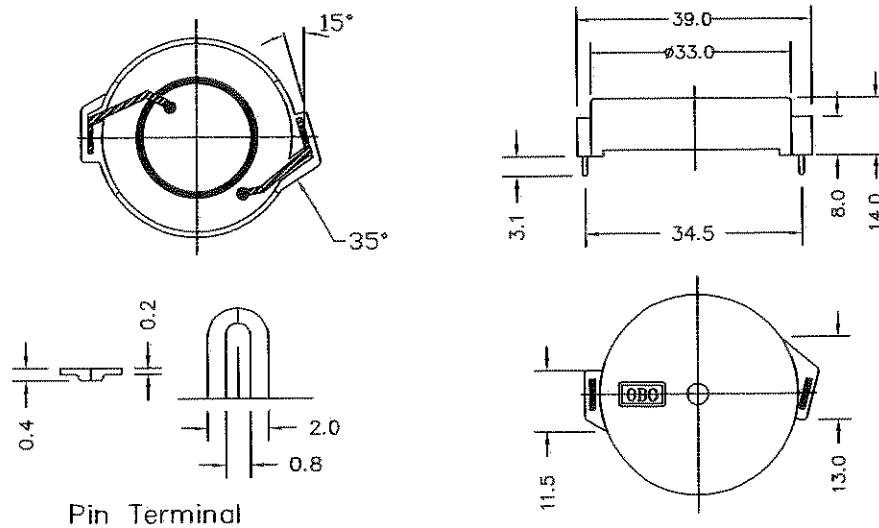
Note: Please pay attention never to be applied DC voltage to piezo sounder

**OBO.Pro.2****SPECIFICATIONS****MODEL NO.**  
OBO-35T5**PART NAME**  
Piezoelectric Buzzer**SHEET**  
3 OF 4**2.2 Standard Test Condition**

Part shall be measured under a condition  
(Temperature : +5 to +35°C, Humidity : 45% to 85%R.H.)  
unless the standard condition.(Temperature : +25±3°C,  
Humidity : 60±10%R.H.) is regulated to measure.

**3. Dimensions :**

Unit : mm      Tolerance : ± 0.5



Pin Terminal

**4. Soldering Condition :****4.1 Hand Soldering**

Iron Tip Temperature	Soldering time
+ 380°C Max.	Duration 3 seconds Max.

**4.2 Wave Soldering**

Peak temperature	Dipping time	Soldering
+ 260°C	5 seconds	1 time

**OBO Pro.2**

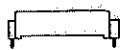
**SPECIFICATIONS**

**MODEL NO.**  
OBO-35T5

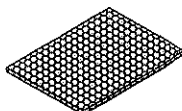
**PART NAME**  
Piezoelectric Buzzer

**SHEET**  
4 OF 4

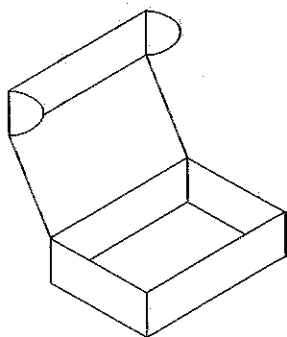
**5. Packing :**



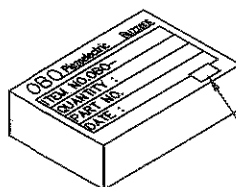
Buzzer



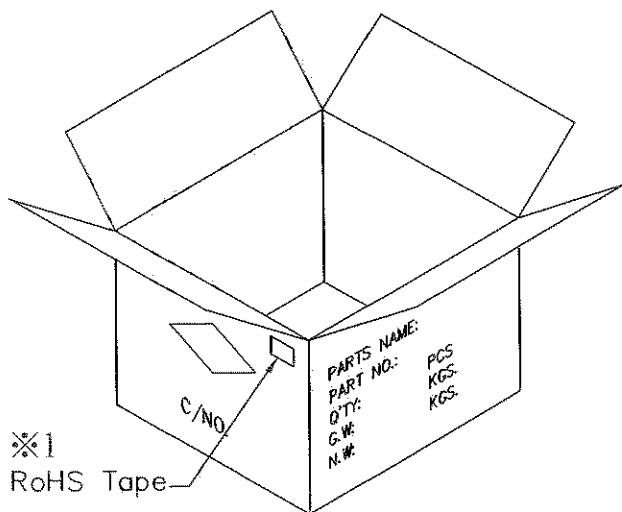
Foam Pad(195\*145\*6mm)



72pcs./Inside Box  
(218\*152\*61mm)

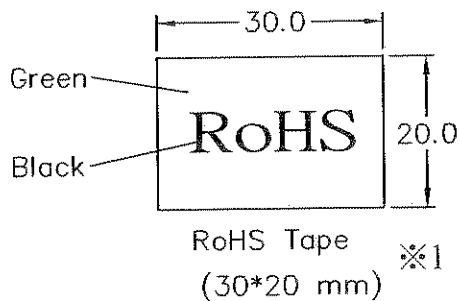


※1  
RoHS Tape



※1  
RoHS Tape

30 Box(2160pcs)/ Carton  
2.52寸(488\*452\*352mm)



RoHS Tape ※1  
(30\*20 mm)