

OBO Pro.2**SPECIFICATIONS****MODEL NO.**
OBO-35T2**PART NAME**
Piezoelectric Buzzer**SHEET**
2 OF 5

Model No. : OBO-35T2

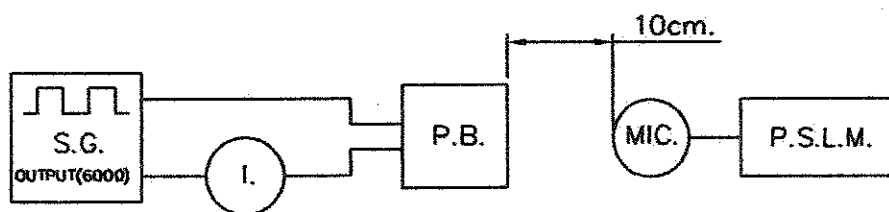
Features : External drive & Pb-free Soldering Type

1. General Requirements

Items	Spec.
Sound Pressure Level	80dB Min. at 1.2KHz/9Vp-p Square Wave/10cm.
	70dB Min. at 1.2KHz/1Vrms Sine Wave/10cm.
Capacitance	47,000pF \pm 30% at 120Hz
Current Consumption	3mA Max. at 1.2KHz/9Vp-p Square Wave
Allowable Input Voltage	40Vp-p Max.
Case Material	ABS(UL 94HB)
Operating Temp. Range	-20°C to +60°C
Storage Temp. Range	-30°C to +70°C
Weight	5.3 gms
Frequency Response	As Per Fig.1

2. Test Method

2.1 Standard Test Diagram



S.G. : GAG-808G Audio Generator or Equivalent

MIC. : B&K-4176 Micphone or Equivalent

P.S.L.M. : B&K-2232 Precision Sound Level Meter or Equivalent

I. : GDM-8145 Multimeter or Equivalent

P.B. : Piezoelectric Buzzer

Note: Please pay attention never to be applied DC voltage to piezo sounder

OBO Pro.2.

SPECIFICATIONS

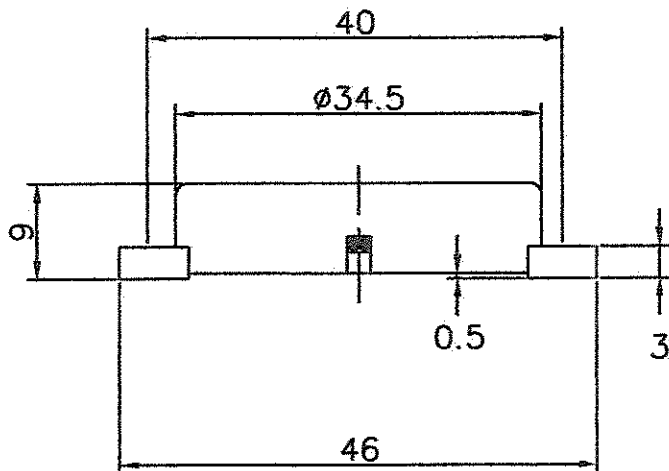
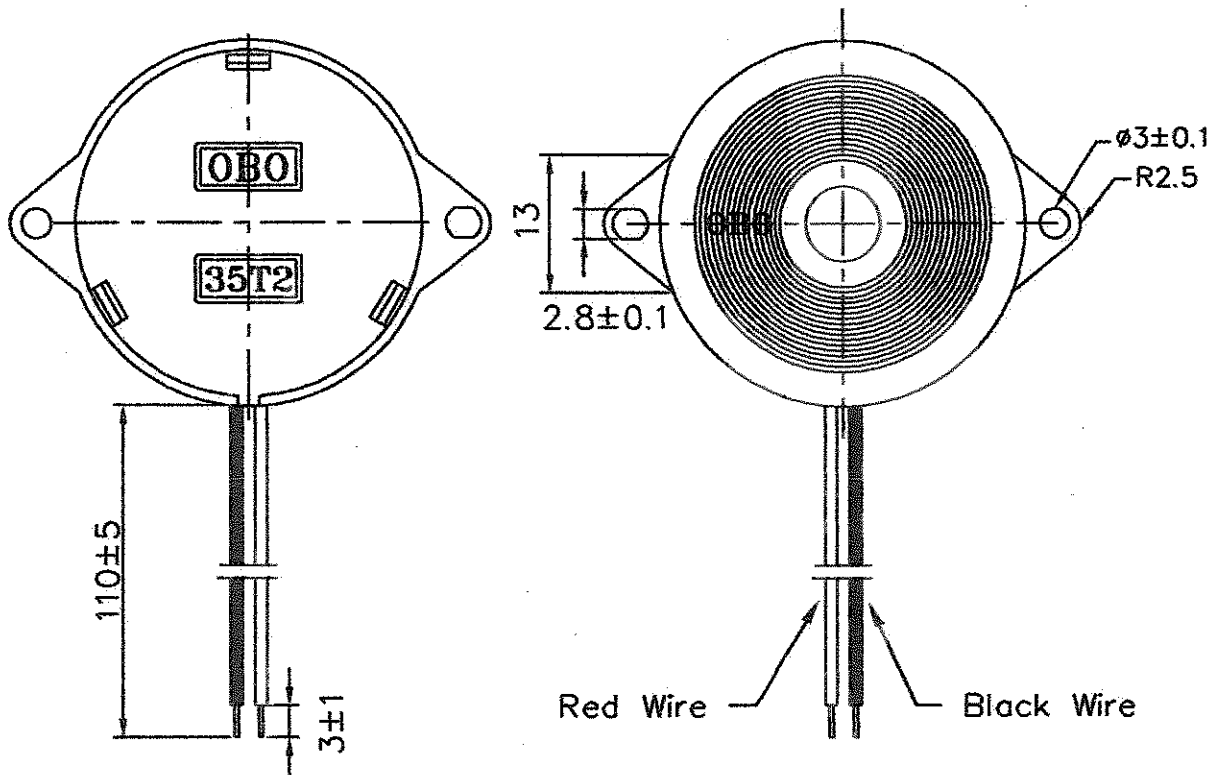
MODEL NO.
OBO-35T2

PART NAME
Piezoelectric Buzzer

SHEET
3 OF 5

3. Appearance and Dimensions

Unit : mm Tolerance : ±0.5



Customer	Lead Wire
Standard	UL1095#28

OBO.Pro.2.

SPECIFICATIONS

MODEL NO.
OBO-35T2

PART NAME
Piezoelectric Buzzer

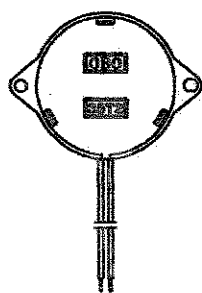
SHEET
4 OF 5

4. Soldering condition

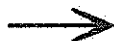
4.1 Hand soldering / touchup

soldering iron tip temperature 380 °C for 3 seconds.

5. Package



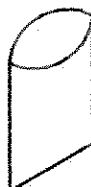
Buzzer



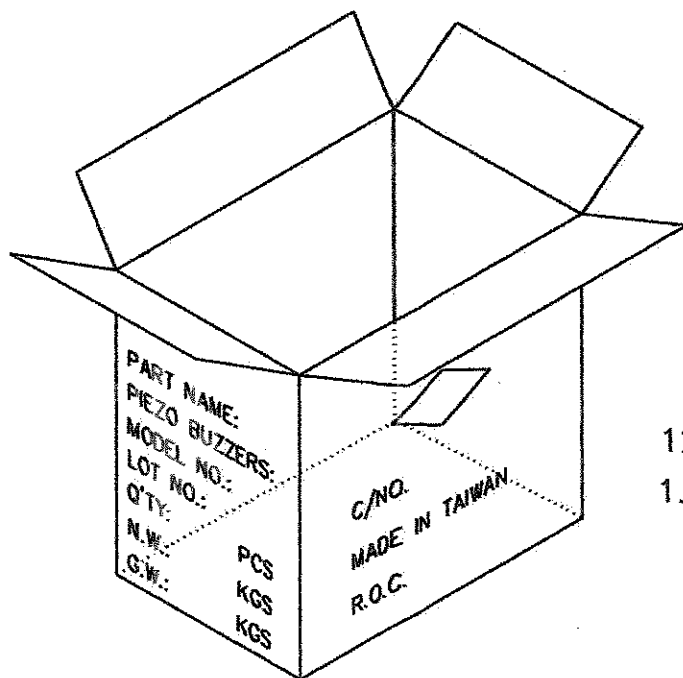
OBO PRO.2 INC.

MODEL NO.	
LOT NO.	
QUANTITY	
DATE	

20pcs / Label
(80*50*0.08mm)



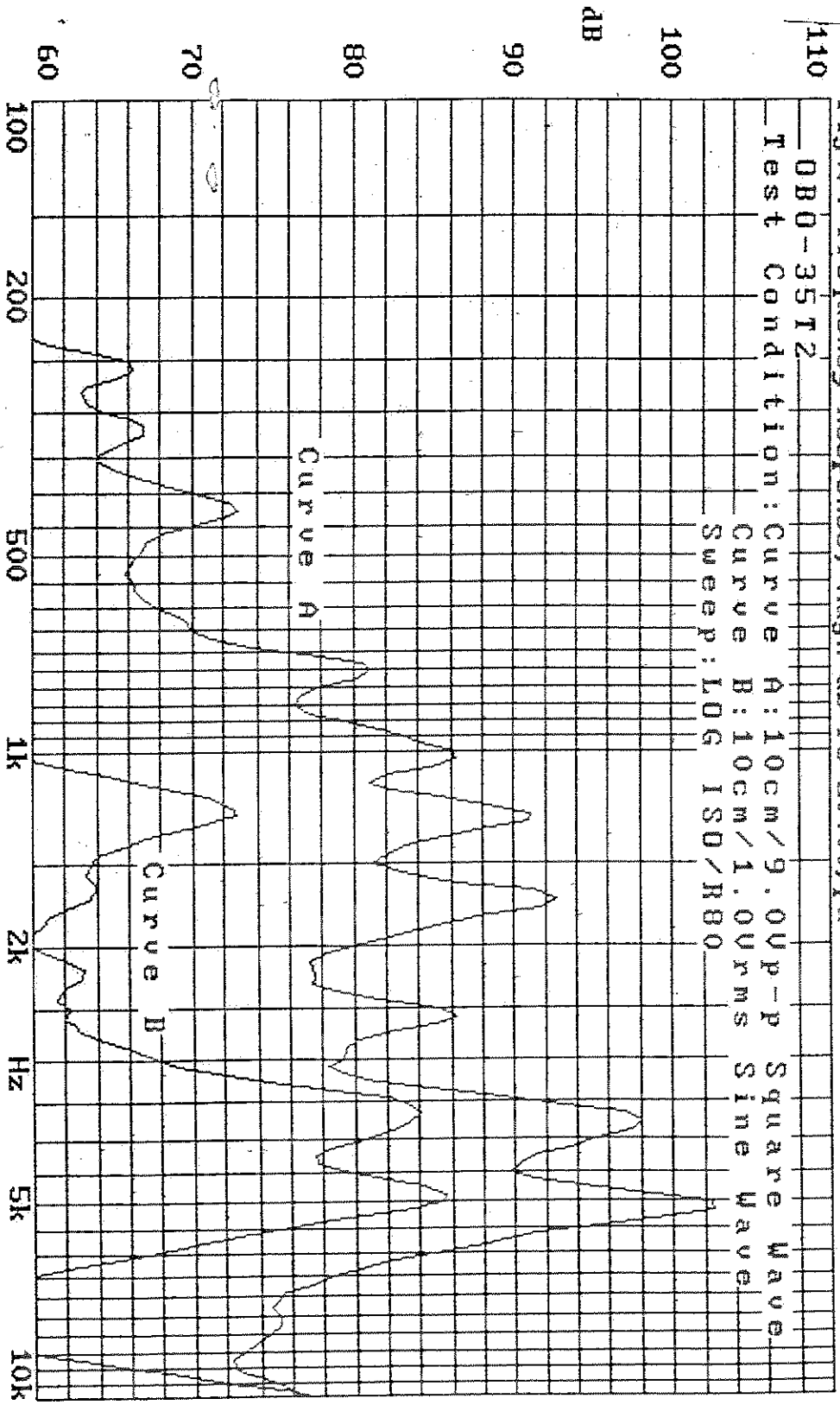
20pcs/ PE Bag
(220*155*0.05mm)



125 Bag(2,500pcs)/ Carton
1.74寸(400*382*358mm)

SHEET
50F5-

Fig. 1: Frequency Response, Magn dB re 20.00µpa



Mode: SSR

01-MAY-1997 17:22:23

