	SPECIFICATIONS	MODEL NO OBO-11032G-01C
	PART NAME DYNAMIC SPEAKER	SHEET 1 OF 5

ALTERNATION HISTORY							
---------------------	--	--	--	--	--	--	--

Marking	Date	ECN NO.	REV.	Description	Page	PREPARE BY	APPROVE BY
---	JUL,06,2016	---	暫定	New Document	5	曾梅梅	林建宏

REV.	DATE	PREPARED BY	CHECKED BY	APPROVED BY
暫定	JUL,06,2016	曾梅梅	江 杉	林建宏



SPECIFICATIONS

MODEL NO
OBO-11032G-01C

PART NAME
DYNAMIC SPEAKER

SHEET
2 OF 5

MODEL NO : OBO-11032G-01C

Features:Conformity RoHS Directive(2011/65/EU) Requests.

1. General Specifications

Items	Spec.
Weight	Approx 0.6 Grams
Nominal Impedance	32 Ohm \pm 15% At 1000 Hz/0.178V
Power Rating	Normal 3mW. Maximum 5mW.
Output Sound Pressure Level (S.P.L)	97 \pm 3dB /0.178V at 1000Hz (Artificial Ear IEC-711).
Frequency Range	20 ~ 20000 Hz. Average SPL -10dB.
Distortion	3% Maximum At 1000Hz/0.178V
Abnormal Sound Test	Must be Normal Tested by 0.3Volts. Sine Wave 50~5000Hz
Polarity	Diaphragm shall move Forward when Apply a Positive DC Current to the “+” or “Marked” Terminal.
Operating Temperature	-20 $^{\circ}$ C to +50 $^{\circ}$ C
Storage Temperature	-25 $^{\circ}$ C to +55 $^{\circ}$ C

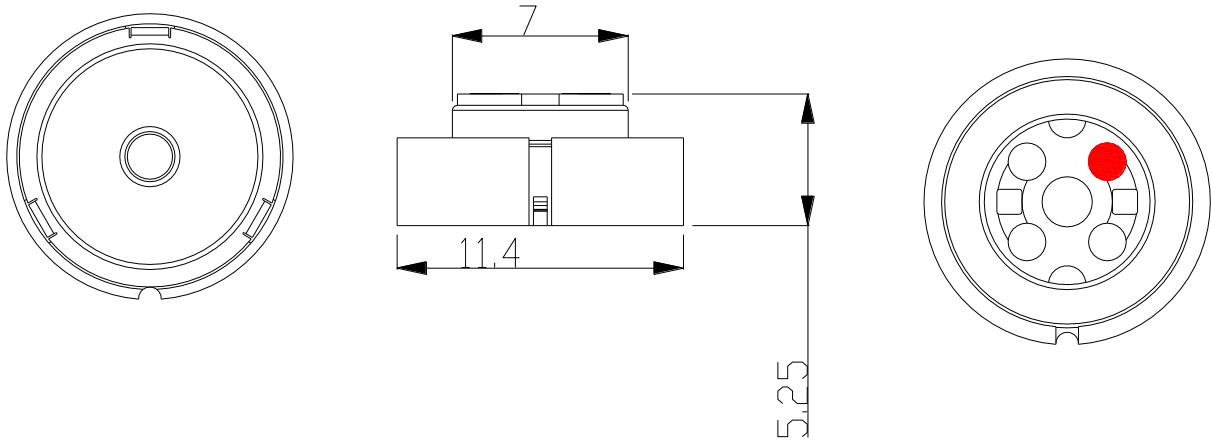
2. Environmental Test

After any the following tests the response S.P.L shall not deviate more than \pm 3dB from the initial value and shall be nothing mechanical damage.

Humidity Test	Temperature: +40 $^{\circ}$ C \pm 3 $^{\circ}$ C
	Relative Humidity: 90% ~ 95%
	Duration: 96 Hours
	Duration of recovery: 6 Hours
Temperature Cycle Test	Temperature: +55 $^{\circ}$ C \rightarrow +25 $^{\circ}$ C \rightarrow -25 $^{\circ}$ C \rightarrow +25 $^{\circ}$ C
	Duration: 1Hour 1Hour 1Hour 1Hour
	Cycle: 3 Cycles
Vibration Test	Vibration Direction: 3 axes
	Mounting: Unit Shall Be Rigidly Restrained On The Table
	Frequency: 10-55-10Hz/Minute
	Endurance: 1 Hour in Each Plane
	Duration of Transfer Time: Less Than 5Minutes
Load Test	White Noise With Weighted Filter 0.3 Volts.(RMS) 96 Hrs.
Drop Test	70cm Free Falling On 10cm Wood Floor, with 10 times.

3. Mechanical Layout And Dimensions

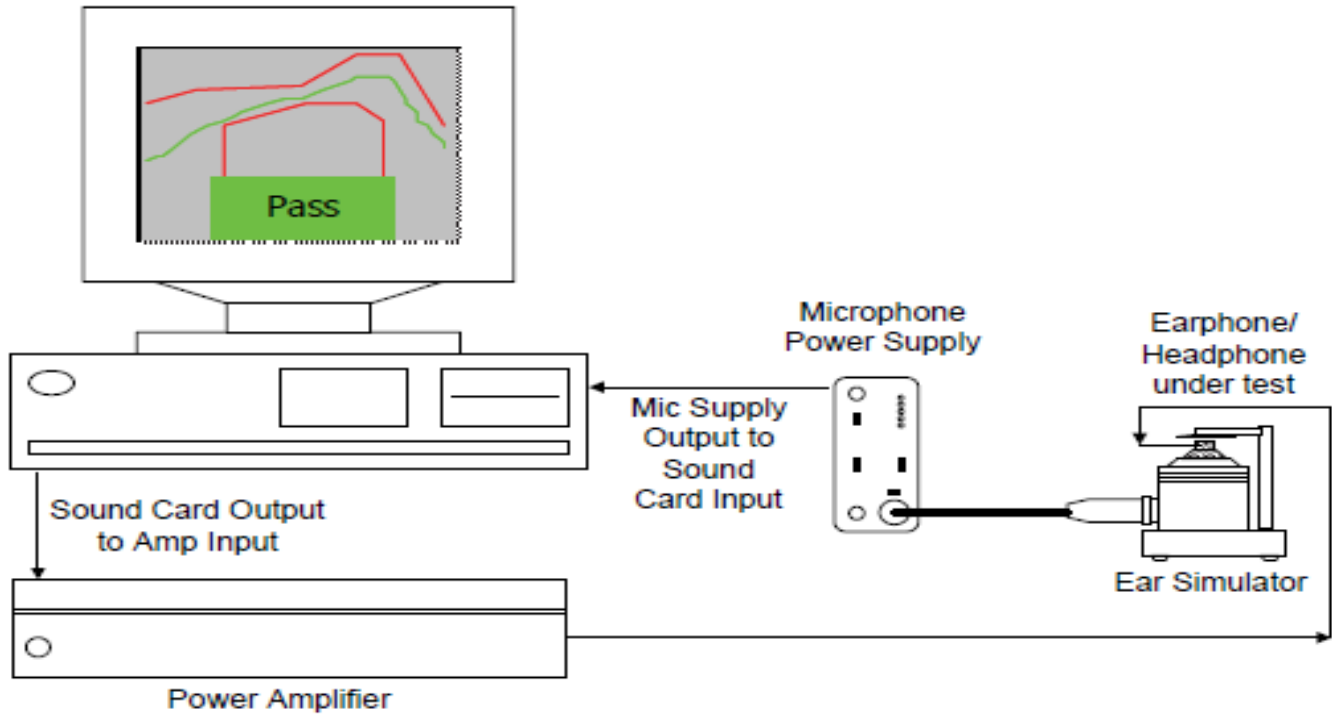
3.1 Dimensions



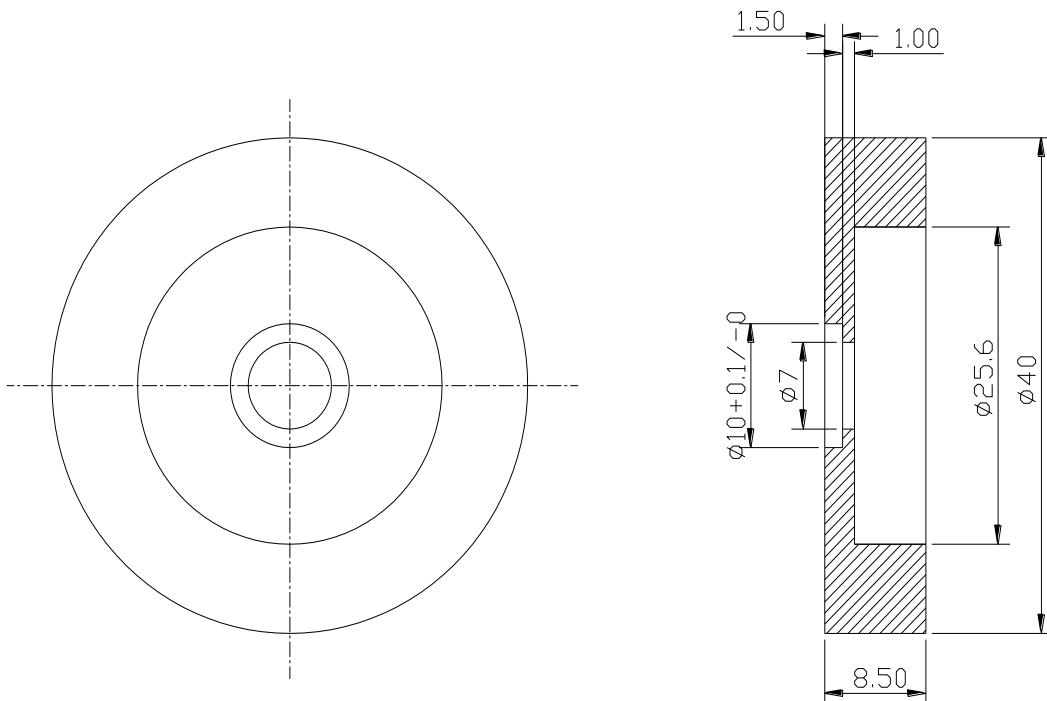
Unit: mm Tol:±0.3mm

4. Test Method

4.1 Measurement Diagram



4.2 Ear Cap





SPECIFICATIONS

MODEL NO
OBO-11032G-01C

PART NAME
DYNAMIC SPEAKER

SHEET
5 OF 5

5. Frequency Response Curve

